

MTF 3



Product Description

The MTF 3 is a new Molins Mass Flow Tray Filling Machine. Designed to address all the needs of the cigarette and filter making industry, using reliable proven features of the very successful MTF2. The MTF3 is PLC controlled with all motor speeds and tray adjustments made on a touch screen. This reduces mechanical parts to minimize maintenance for prolonged reliable use.

Features

Versatile

- Single Dual Single Dual and through-flow condition
- High and low level entry

Flexible

- Minimum parts requirement or tray size or rod length change
- Operator Friendly
- Touch screen interface
- Excellent tray monitoring
- Easy clean down

Reliable

- PLC Controlled
- Minimum mechanical parts

Compact

- On board electrics
- No spacing between trays

Improved Capacity

- 10 trays as standard

Addresses (local regional offices)

Molins MTM UK

A1 Regent Park, Summerleys
Road, Princes Risborough
Buckinghamshire, HP27 9LE
United Kingdom
T: +44 (0) 1844276600
F: +44 (0) 01844276730
E: Mtm@molins.com

Molins Richmond INC

1470 East Parham Road
Richmond, Virginia 23228-2300
Virginia
T: +1 804 887 2525
F: +1 804 887 2526
E: molins.Richmond@molins.com

Molins Tobacco CIS Russia

Rozanova str., 1o/1 123007
Moscow Russia
T: +7 495 2324025
F: +7 495 2324026
E: Molins-tobacco-
cis@yandex.ru

Molins do Brasil

Maguinas Automaticas Ltda
Rua Joao Lunardelli 810
CIC – Curitiba
Parana
CEP 81.460.100
T: +55 41 3227 8300
F: +55 41 3227 8310
E: Molins.Brazil@molins.com

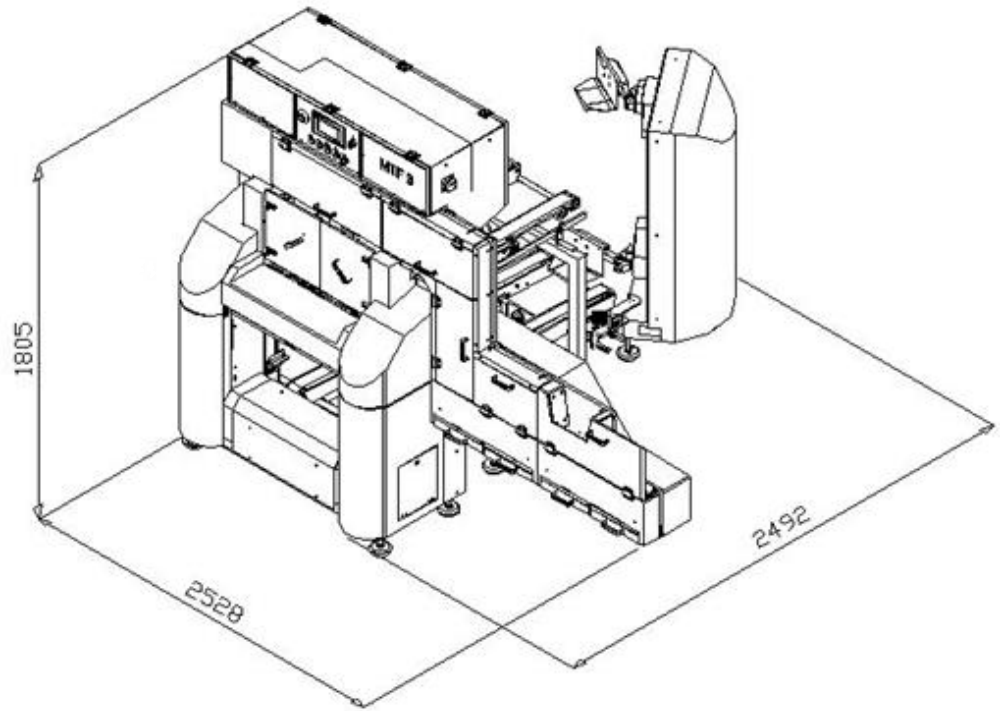
Molins Far East Private Ltd

5 Pereira Road
Singapore 368025
T: +65 62893 788
F: +65 6289 5788
E: MFE@molins.com

Molins S.R.O

Korandova 12 301 00 Plzen
Czech Republic
T+ 420 378 080 111
F+ 420 378 080 211
Email: info@molins.cz

Blueprint



Output

- Throughput 10,000 rods/min
- Rod Length 66 to 150 mm
- Rod Diameter 5.30 to 9.00 mm

Maximum Tray Dimensions

- Width inside 680 mm
- Width Outside 760 mm
- Height Outside 430 mm
- Depth Inside 156 mm
- Depth Outside 170 mm

Tray Capacity

- Standard 10 full & 10 empty trays

Machine Configurations

- Single Entry
- Twin Entry
- Through flow

Weight

- 1100 Kg
- **Power Requirement**
- 2.2 kVa